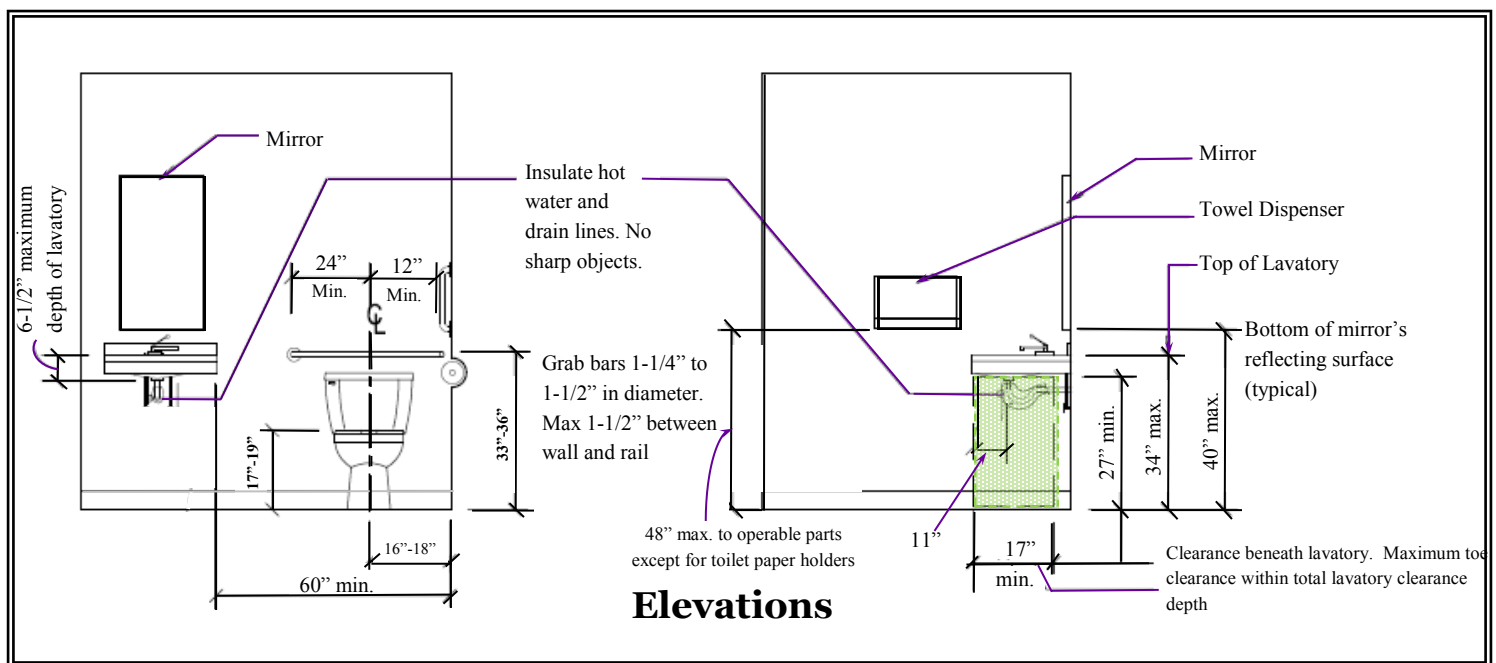
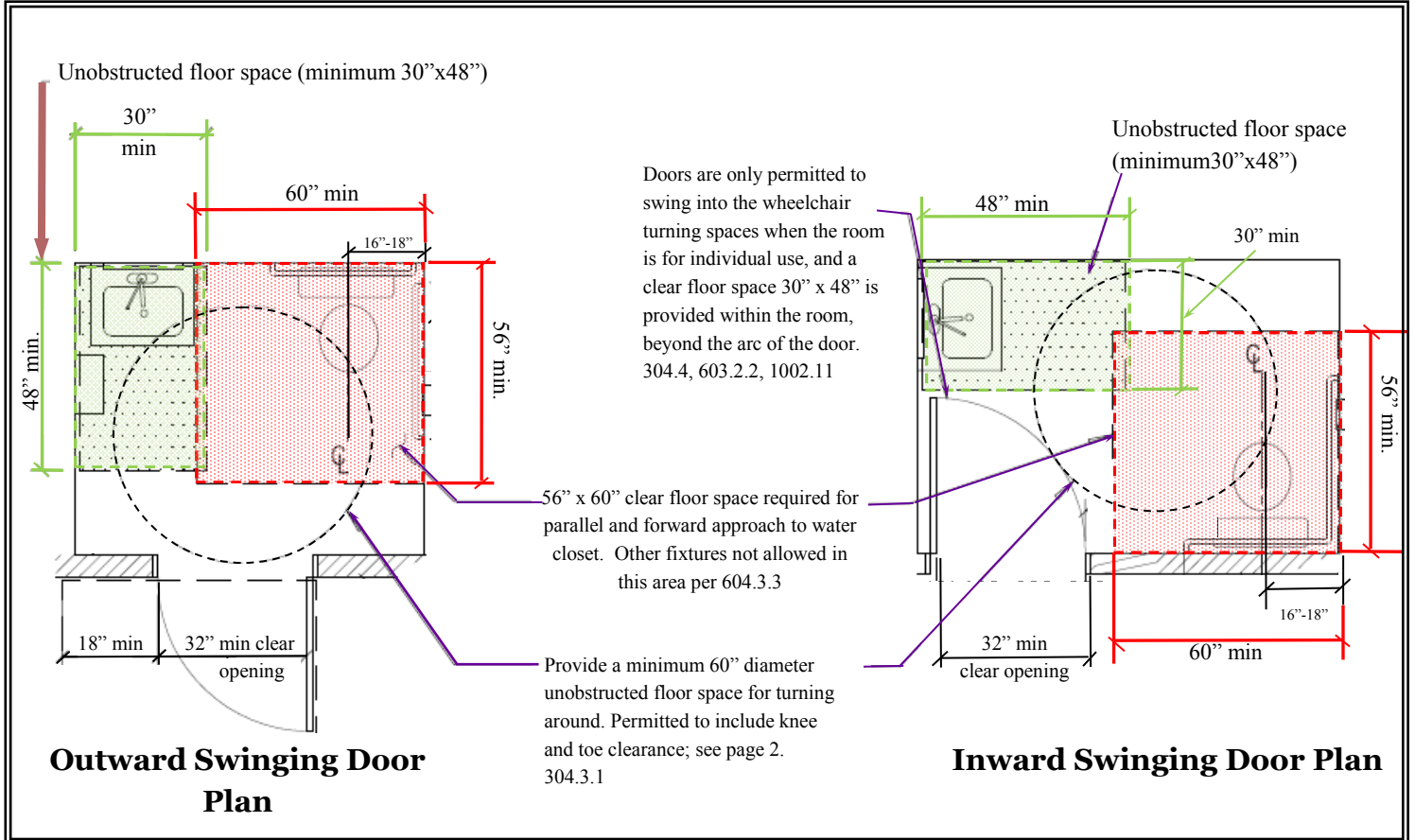
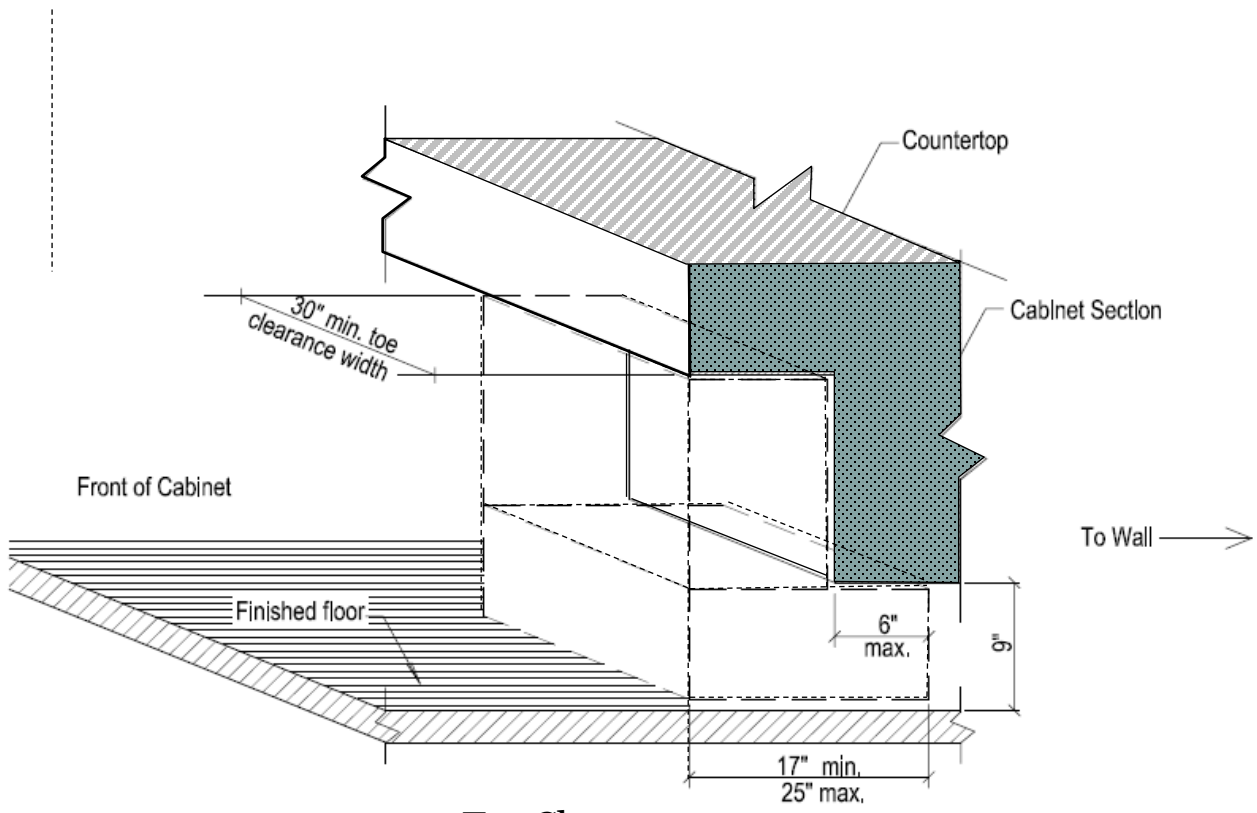


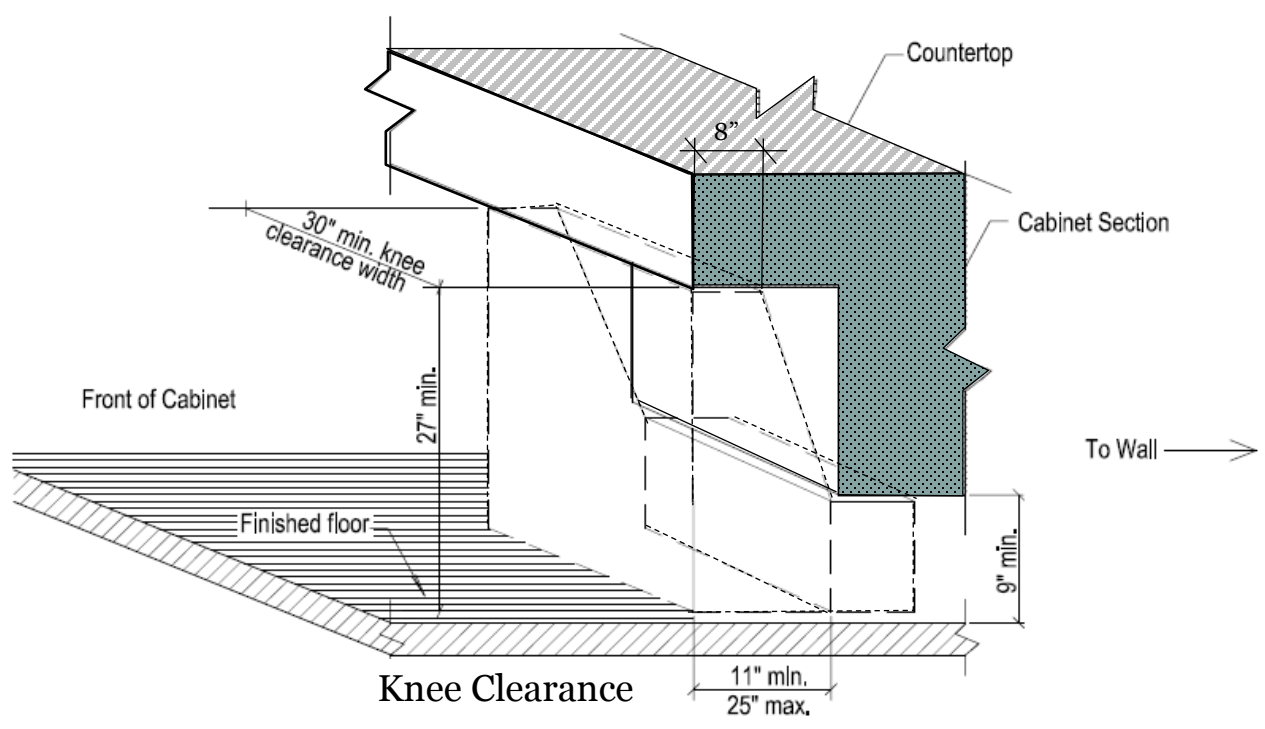
Accessible Restrooms

2018 International Building Code & 2010 ADA

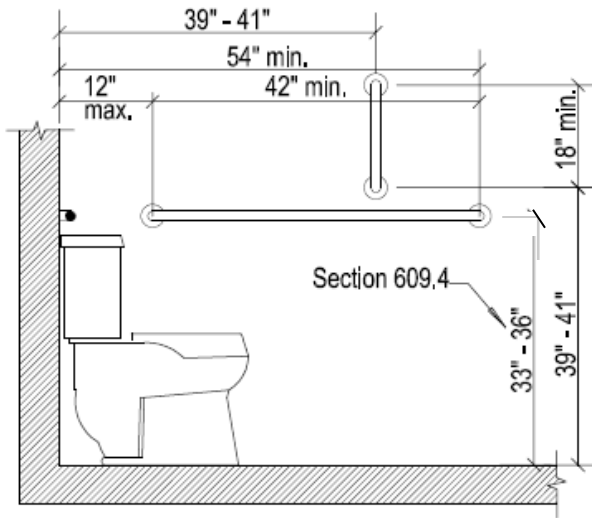




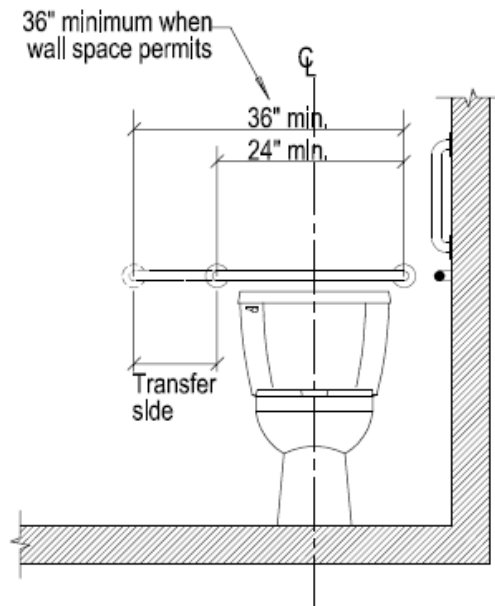
Toe Clearance



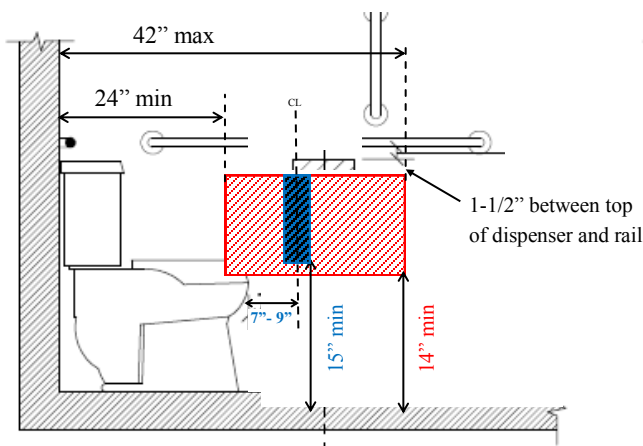
Knee Clearance



**Side Wall Grab Bar
for Water Closet**

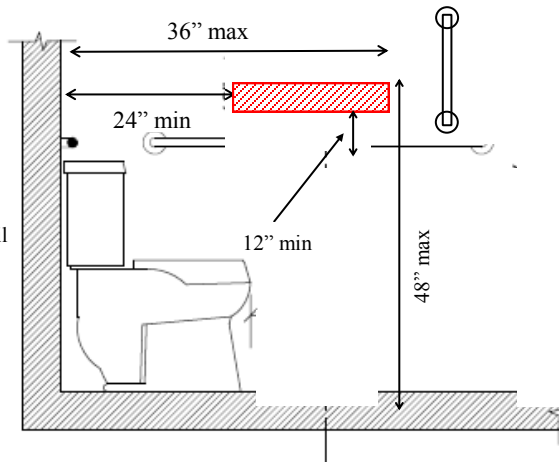


**Rear Wall Grab Bar
for Water Closet**



**Dispenser Location
Below Grab Bar**

ADA location shaded **blue** and
ANSI location shaded **red**



**Dispenser Location
Above Grab Bar**